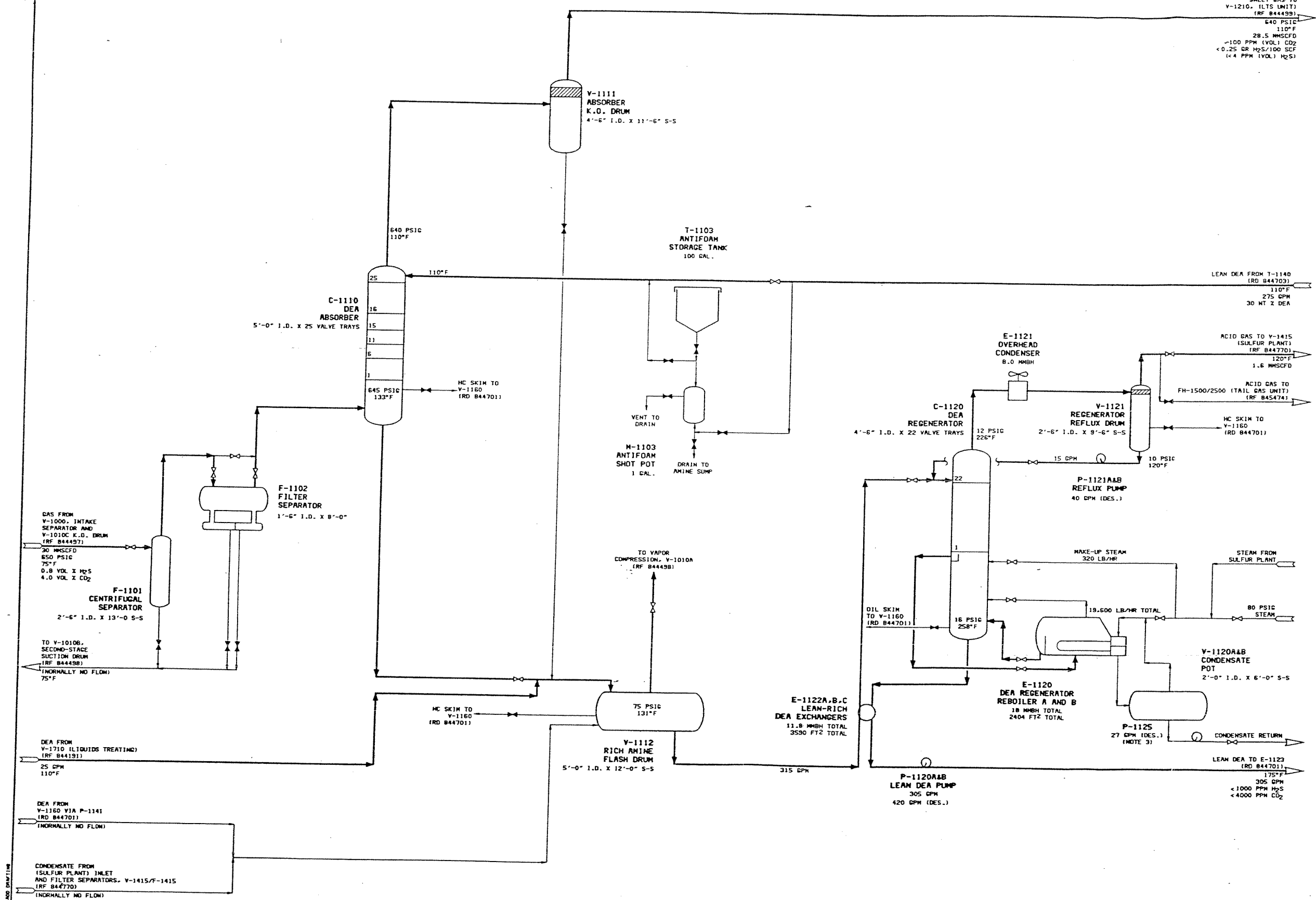


SWEET GAS TO V-1210 (LTS UNIT) (RF 844499)
 640 PSIC 110°F
 28.5 MMSCFD
 <100 PPM (VOL) CO₂
 <0.25 GR H₂S/100 SCF
 (<4 PPM (VOL) H₂S)

- NOTES:
- THIS DRAWING IS A SIMPLIFIED FLOW DIAGRAM SHOWING ONLY MAJOR EQUIPMENT AND PROCESS LINES. UNLESS OTHERWISE NOTED, EQUIPMENT IS IDENTICAL FOR PLANT 21.
 - MMSCFD = 10⁶ CUBIC FEET PER DAY AT 60°F AND 14.7 PSIA
 MMBH = 1,000,000 BTU/HR
 ○—○ VALVE NORMALLY OPEN
 —○— VALVE NORMALLY CLOSED
 - P-1125 IS PIPED TO V-1120B ONLY. PUMP IS USED ONLY DURING TURN-DOWN OPERATION.



- REFERENCE DRAWINGS:
- RF 844497
 - RF 844498
 - RF 844191
 - RF 844701
 - RF 844700
 - RF 845471

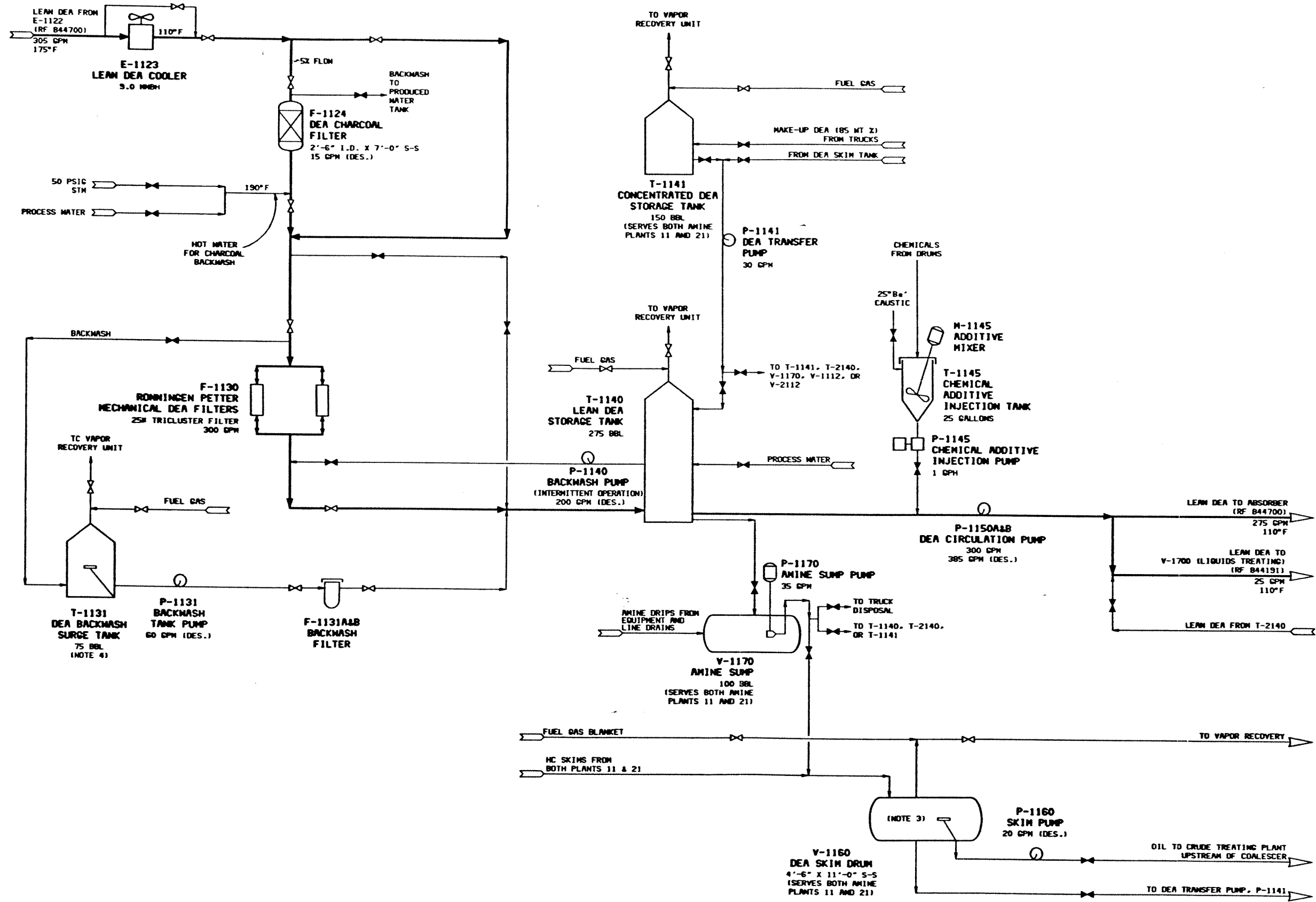
REVISION		SCALE NONE	DATE 12/17/84
		DR JAJ	CH
			CAB/ENG, TDP
			APPR.

Chevron
 CHEVRON RESEARCH COMPANY
 PROCESS ENGINEERING DEPT.
 PROCESS DESIGN DIVISION

FIGURE 3.0-1

PROCESS FLOW DIAGRAM
 DEA ABSORBER AND REGENERATOR
 PLANTS 11 AND 21 - ACID GAS REMOVAL
 GAVIOTA GAS PLANT

CONFIDENTIAL
 PROPERTY OF CHEVRON RESEARCH COMPANY.
 TO BE REPRODUCED AND USED ONLY IN
 ACCORDANCE WITH WRITTEN PERMISSION OF
 CHEVRON RESEARCH COMPANY



- NOTES:
1. THIS DRAWING IS A SIMPLIFIED FLOW DIAGRAM SHOWING ONLY MAJOR EQUIPMENT AND PROCESS LINES. UNLESS OTHERWISE NOTED, EQUIPMENT IS IDENTICAL FOR PLANT 21.
 2. MMSCFD = 1,000,000 STANDARD CUBIC FEET PER DAY AT 60°F AND 14.7 PSIA
MMBH = 1,000,000 BTU/HR
 3. V-1160 SKIM IS A FLOATING ARM DESIGNED TO RIDE THE INTERFACE BETWEEN DEA AND HYDROCARBONS.
 4. T-1131 HAS A FLOATING ARM FOR SUCTION TO P-1131.

REFERENCE DRAWINGS:
RF 844700
RF 844191

REVISION		SCALE NONE	DATE 11/17/84
		DR JAJ	CH CAB/ENG. TOP
		APPR.	

CHEVRON
CHEVRON RESEARCH COMPANY
PROCESS ENGINEERING DEPT.
PROCESS DESIGN DIVISION

PROCESS FLOW DIAGRAM
AMINE FILTRATION
PLANTS 11 AND 21 - ACID GAS REMOVAL
GAVIOTA GAS PLANT

SQ 30043 **RD 844701** REVISION

CONFIDENTIAL
PROPERTY OF CHEVRON RESEARCH COMPANY.
TO BE REPRODUCED, AND USED, ONLY IN
ACCORDANCE WITH WRITTEN PERMISSION OF
CHEVRON RESEARCH COMPANY

FIGURE 3.0-2

01/28/84 JAJ/CHD DRAFTING