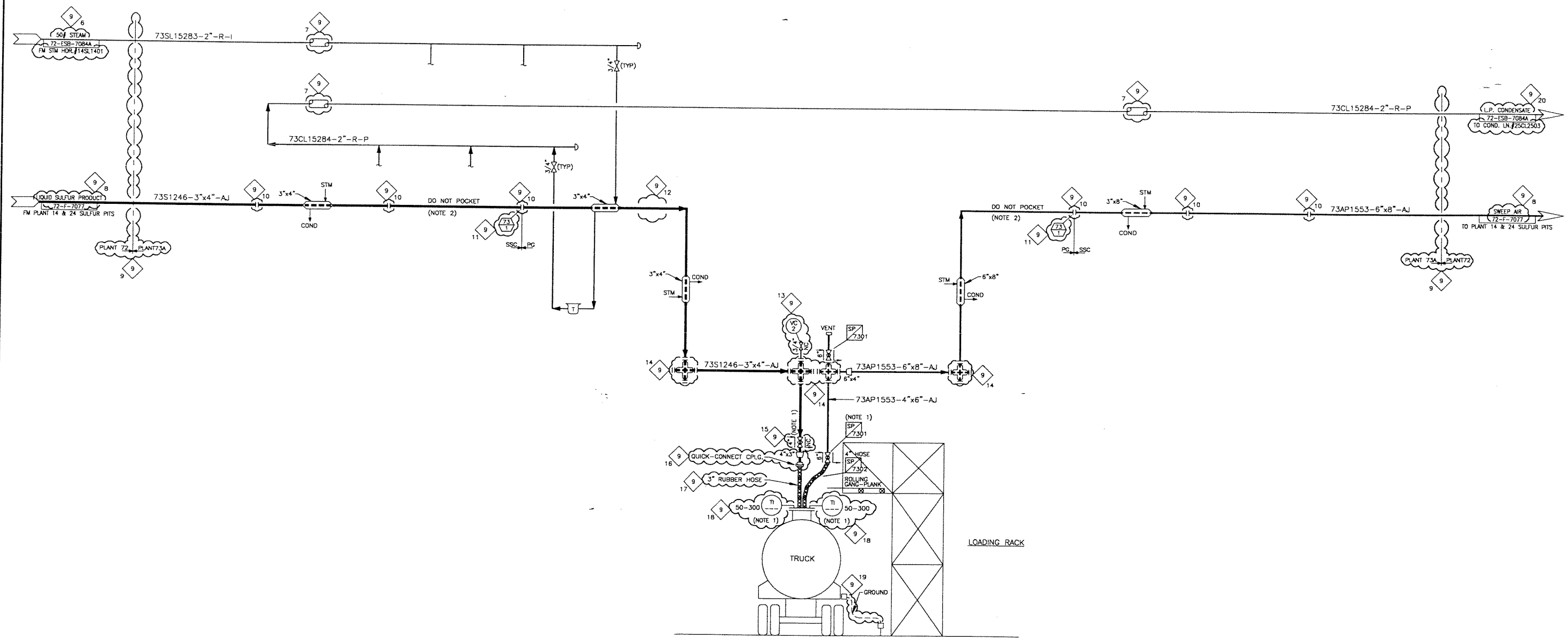
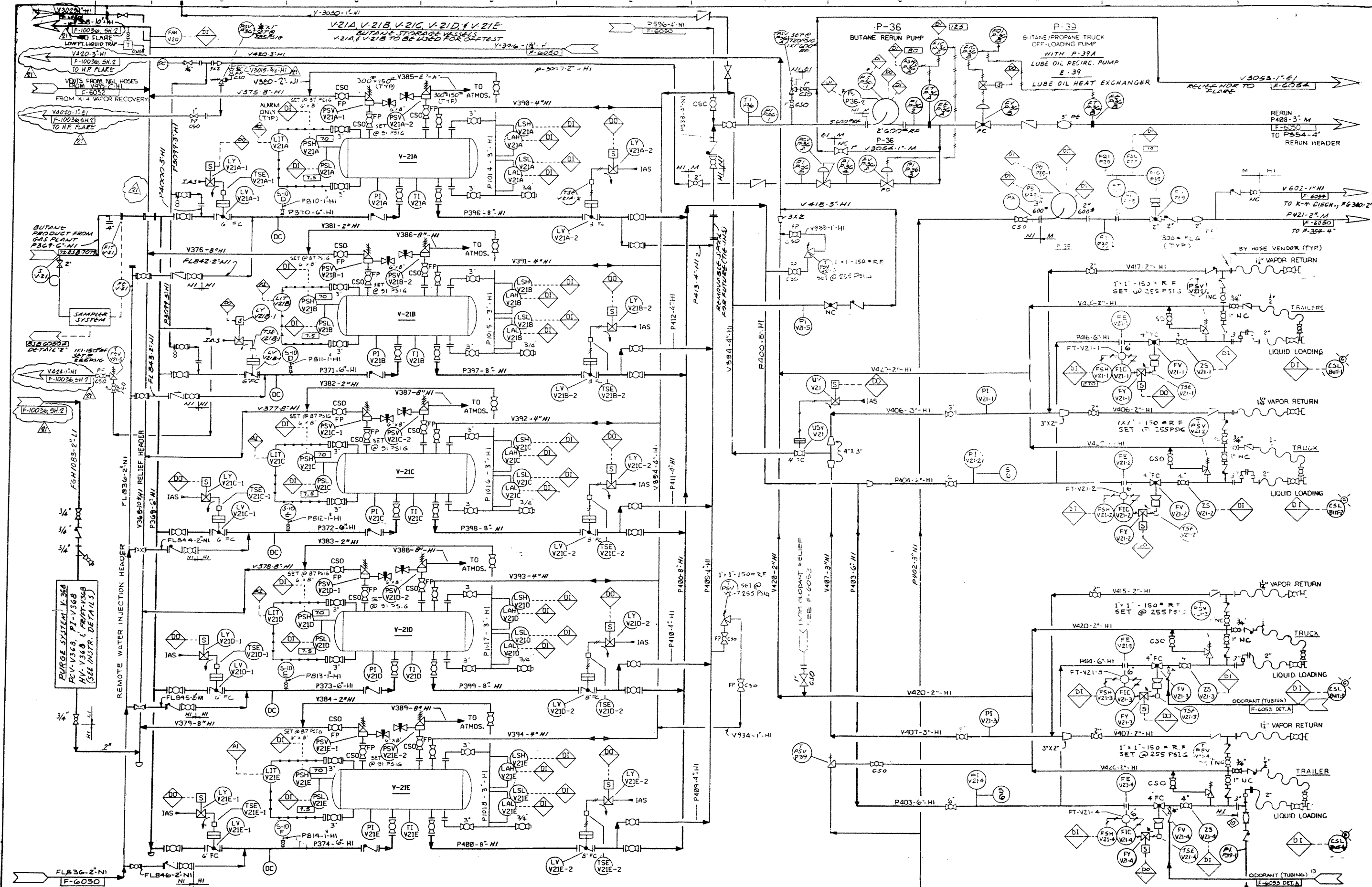




- NOTES
1. VALVE TO BE ACCESSIBLE FROM ROLLING GANG-PLANK ON SULFUR LOADING RACK.
  2. SLOPE LINES FROM HIGH POINT IN PIPERACK.



REFERENCE DRAWINGS		REVISIONS		SCALE		DATE		BY		CHECKED		APPROVED		PROJECT	
OVERALL SITE PLAN	00-F-60645	AS-BUILT FOR PSM/HAZOPS. REDRAWN ON CAD.	ISSUED FOR CONSTRUCTION.	NONE		08-01-85		JAM	PF	DATE: 8/28/97		DATE: 8/28/97		TRUCK LOADING SYSTEM	
INSTRUMENT & CONTROL SYS SYMBOLS	00-F-7000	REVISE LINE SIZE AND GENERAL REVISIONS.	AS-BUILT. NO REVISIONS.	NONE		01-01-86		JAM	PF	DATE: 8/28/97		DATE: 8/28/97		PLANT 73A - SULFUR LOADING FACILITY	
PIPING & EQUIPMENT STD SYMBOLS	00-F-7001			NONE				JAM	PF	DATE: 8/28/97		DATE: 8/28/97		GAVIOTA GAS PLANT (P290) - SANTA BARBARA CTY., CA.	
												<b>Chevron</b> Ventura Profit Center		73A-F-6415 9 SHEET 1	



REFERENCE DRAWINGS	REVISIONS	SCALE NONE	DATE 5-2-02 DR: SCY
	REVISED P3007 ADDED P3011.3 TO V-21A, V-21B, V-21C, V-21E. (SEE INSTR. DETAILS)		DR. APPR. ENC. UBY
	ADDED SAMPLING SYSTEM AND REMOVABLE SPOOL FOR FUTURE TIE-INS		OPER. DEPT. APPROVED
	RELOCATED SAMPLER SYSTEM TO LUB P367.6-NI 2-7-91		ENGINEER
			DATE



**Chevron U.S.A. Inc.**  
Offshore Projects Department,  
Western Region

PIPING & INSTRUMENTATION DIAGRAM	
BUTANE STORAGE & LOADING FACILITIES	
L.P.G. & N.G. STORAGE & LOADING	
POINT ARGUELLO OIL SYSTEM (PAOS)	
A	F-6051-21